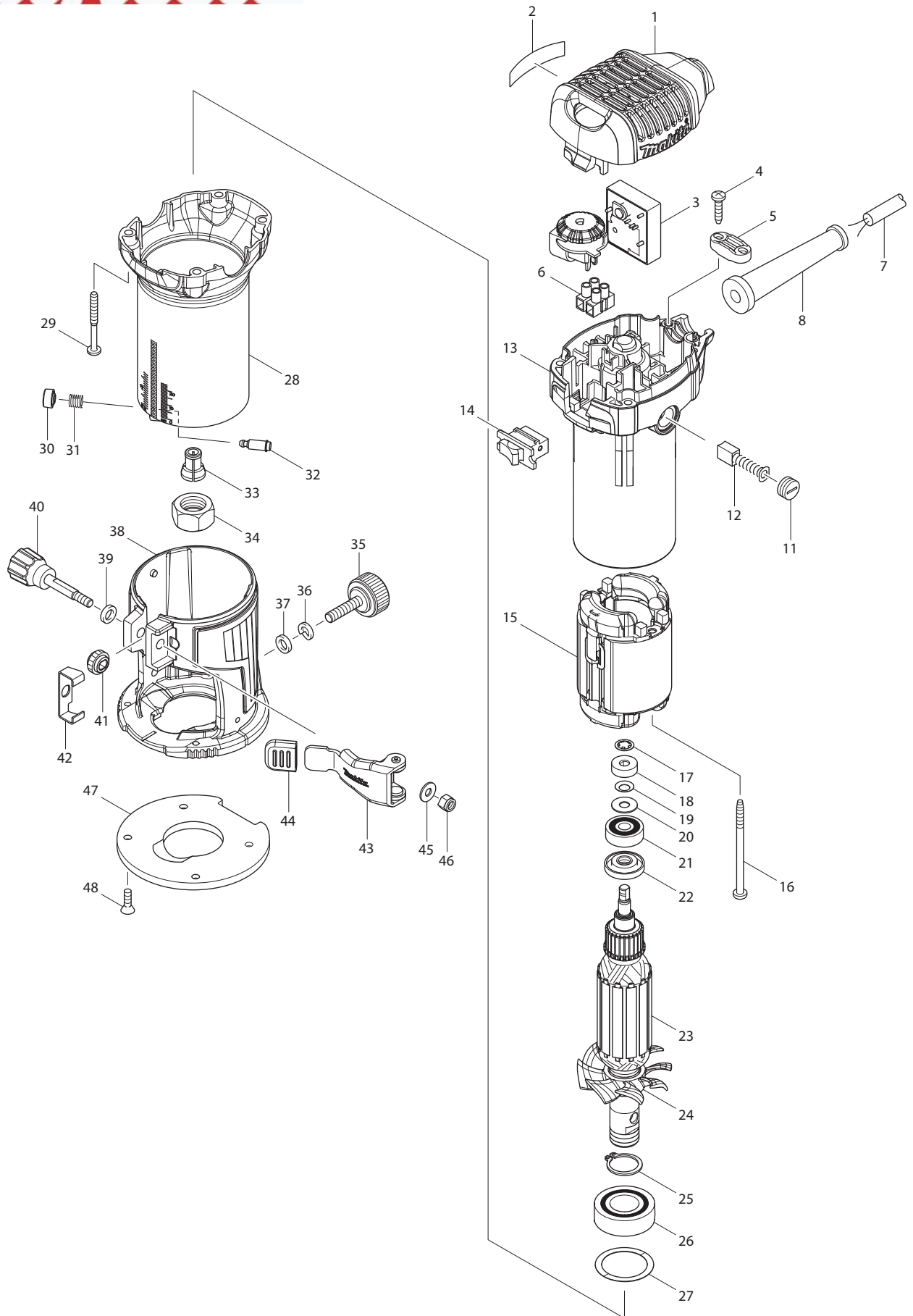




01 - 2012
RT0700CX3

1.H.P. TRIMMER/ROUTER KIT



Item No.	Type	Sub	Part No.	Description	Qty	Unit
1			141052-3	TOP COVER COMPLETE	1	PC.
		INC.	893157-2	CAUTION LABEL	1	PC.
2			869668-9	NAME PLATE F/RT0700C	1	PC.
3			620039-3	CONTRLLER	1	PC.
4			266326-2	TAPPING SCREW 4X18	2	PC.
5			687123-7	STRAIN RELIEF	1	PC.
6			654542-2	TERMINAL BLOCK 2P	1	PC.
7			664891-9	CORD W/PLUG 2P-18-2.5M, SJ	1	PC.
8			682569-2	CORD GUARD 8-85	1	PC.
11			643550-8	BRUSH HOLDER CAP 5-8	2	PC.
12			195008-8	CARBON BRUSH CB-408 2PC/SET W/ORIGIN	1	SET
13			140736-0	BRACKET COMPLETE	1	PC.
		INC.	643455-2	BRUSH HOLDER 6X9	2	PC.
14			651527-9	SWITCH	1	PC.
15			633766-3	FIELD 115V	1	PC.
16			266340-8	TAPPING SCREW 4X65	2	PC.
17			259039-2	SELF LOCK 6	1	PC.
18			688174-3	MAGNET SLEEVE	1	PC.
19			253332-6	THIN WASHER 6	1	PC.
20			267756-0	WAVE WASHER 6	1	PC.
21			210023-2	BALL BEARING 627DDW	1	PC.
22			681668-7	INSULATION WASHER	1	PC.
23			515841-6	ARMATURE ASS'Y 115V	1	PC.
		INC.		Item No. 17-22,24-26		
24			240125-0	FAN 55	1	PC.
25			961057-5	RETAINING RING S-17	1	PC.
26			210301-0	BALL BEARING 6003DDW	1	PC.
27			253906-3	WAVE WASHER 26	1	PC.
28			140735-2	OUTER HOUSING COMPLETE	1	PC.
29			266560-4	TAPPING SCREW 4X40	4	PC.
30			452468-0	PUSH BUTTON	1	PC.
31			233127-3	COMPRESSION SPRING 7	1	PC.
32			256437-1	PIN 4	1	PC.
33			763637-1	COLLET CONE 1/4"	1	PC.
34			763615-1	COLLET NUT	1	PC.
35			265763-7	THUMB SCREW M6X25	1	PC.
36			942151-2	SPRING WASHER 6	1	PC.
37			941151-9	FLAT WASHER 6	1	PC.
38	1		140739-4	* TRIMMER BASE COMPLETE	1	PC.
	2		142403-3	* TRIMMER BASE COMPLETE	1	PC.
39			941151-9	FLAT WASHER 6	1	PC.
40			265792-0	THUMB SCREW M5X35	1	PC.
41			227262-7	SPUR GEAR 16	1	PC.
42			346392-6	CAM PLATE	1	PC.
43			163524-8	LOCK LEVER COMPLETE	1	PC.
44			424396-9	RUBBER CAP	1	PC.
45			941101-4	FLAT WASHER 5	1	PC.
46			252103-8	HEX. LOCK NUT M5-8	1	PC.
47	1		413149-1	* BASE PROTECTOR	1	PC.
	2		454842-8	* BASE PROTECTOR	1	PC.
48			912112-6	COUNTERSUNK HEAD SCREW M4X10	4	PC.
C01			872162-2	CARTON FOR RT0700CX3	1	PC.
D01			654100-4	RING TERMINAL	2	PC.
D02			654501-6	CONNECTOR P-1.25	2	PC.
D03			654509-0	CONNECTOR 2-SD	3	PC.
ACCESSORIES		- See catalogue or visit www.makita.ca for more optional accessories -				
A01			122965-7	STRAIGHT GUIDE ASSEMBLY	1	PC.
		INC.	252649-4	THUMB NUT M6	1	PC.
		INC.	266339-3	CAP SQUARE NECK BOLT M6X20	1	PC.
		INC.	346382-9	GUIDE PLATE	1	PC.

Item No.	Type	Sub	Part No.	Description	Qty	Unit
A02			P-80011	DUST NOZZLE SET (F/PLUNGE BASE)	1	PC.
		INC.	213022-3	O RING 3	2	PC.
		INC.	265774-2	THUMB SCREW M4X19	1	PC.
A03			195559-1	DUST NOZZLE SET (F/TRIMMER BASE)	1	PC.
		INC.	265774-2	THUMB SCREW M4X19	1	PC.
A04			343577-5	TEMPLER GUIDE 10	1	PC.
A05			763619-3	COLLET CONE 3/8"	1	PC.
A06			781011-1	WRENCH 22	1	PC.
A07			781039-9	WRENCH 13	1	PC.
A08			193043-0	TEMPLER GUIDE 16 (PKG)	1	PC.
A09			122703-7	TRIMMER GUIDE ASS'Y	1	PC.
		INC.	251471-6	- FLAT HEAD SCREW M5	1	PC.
		INC.	265135-6	+ COUNTERSUNK HEAD SCREW M4X10	1	PC.
		INC.	265763-7	THUMB SCREW M6X25	1	PC.
		INC.	265764-5	THUMB SCREW M6	1	PC.
		INC.	317788-8	GUIDE HOLDER	1	PC.
		INC.	324378-0	ROLLER 11	1	PC.
		INC.	341136-9	HOOK	1	PC.
		INC.	941151-9	FLAT WASHER 6	1	PC.
A10			196094-2	PLUNGE BASE SET (See Parts Breakdown 196094-2)	1	PC.
A11			196092-6	TILT BASE SET (See Parts Breakdown 196092-6)	1	PC.
A12			153489-2	GRIP 36 COMPLETE	1	PC.
A13			195564-8	GUIDE HOLDER SET	1	PC.
		INC.	252649-4	THUMB NUT M6	1	PC.
		INC.	256850-3	ROD 8	2	PC.
		INC.	266339-3	CAP SQUARE NECK BOLT M6X20	1	PC.
A14			831327-5	TOOL BAG	1	PC.
A15			196093-4	OFFSET BASE SET (See Parts Breakdown 196093-4)	1	PC.
A16			191750-9	FLEXIBLE HOSE SET	1	PC.
A17			164379-4	TEMPLER GUIDE 9.5 (3/8")	1	PC.
			164393-0	TEMPLER GUIDE 20 (13/16")	1	PC.
			164470-8	TEMPLER GUIDE 27 (1-1/16")	1	PC.
			164471-6	TEMPLER GUIDE 30 (1-3/16")	1	PC.
			164472-4	TEMPLER GUIDE 40 (1-9/16")	1	PC.
			164775-6	TEMPLER GUIDE 11 (7/16")	1	PC.
			164776-4	TEMPLER GUIDE 13 (1/2")	1	PC.
A18			321492-3	TEMPLER GUIDE ADAPTER 30	1	PC.
A19	1		193358-5	STRAIGHT GUIDE W/ MICRO ADJUSTMENT	1	PC.
		INC.	193292-9	ROD 8 SET, 2PC/SET	1	SET
		INC.	193359-3	ROD 12 SET, 2PC/SET	1	SET
		INC.	193360-8	ROD 7 SET, 2PC/SET	1	SET
	2		193312-9	STRAIGHT GUIDE, W/MICRO ADJUSTMENT, STEEL	1	PC.
				Use W/196094-2		
		INC.	193292-9	ROD 8 SET, 2PC/SET	1	SET
		INC.	193359-3	ROD 12 SET, 2PC/SET	1	SET
		INC.	193360-8	ROD 7 SET, 2PC/SET	1	SET
A20			194367-7	GUIDE RAIL 3000 SET	1	PC.
			194368-5	GUIDE RAIL 1400 SET	1	PC.
A21			194385-5	CLAMP SET	1	PC.
A22			194416-0	SEAT 10000 SET	1	PC.
A23			194417-8	RUBBER SEAT 10000 SET	1	PC.
A24			194418-6	POSITION SEAT 1400 SET	1	PC.
			194419-4	POSITION SEAT 3000 SET	1	PC.
A25	1		194433-0	* BEVEL GUIDE SET	1	PC.
	2		196664-7	* BEVEL GUIDE SET	1	PC.
A26			194579-2	GUIDE RAIL ADAPTER SET	1	PC.
A31			733238-9	STRAIGHT BIT 6E	1	PC.
A32			195570-3	ACCESSORY SET	1	PC.
		INC.		Item No. A04-A07	1	PC.
A33			196613-4	TRIMMER BASE SET	1	PC.
		INC.		Item No. 35-48		

SERVICE CHANGES

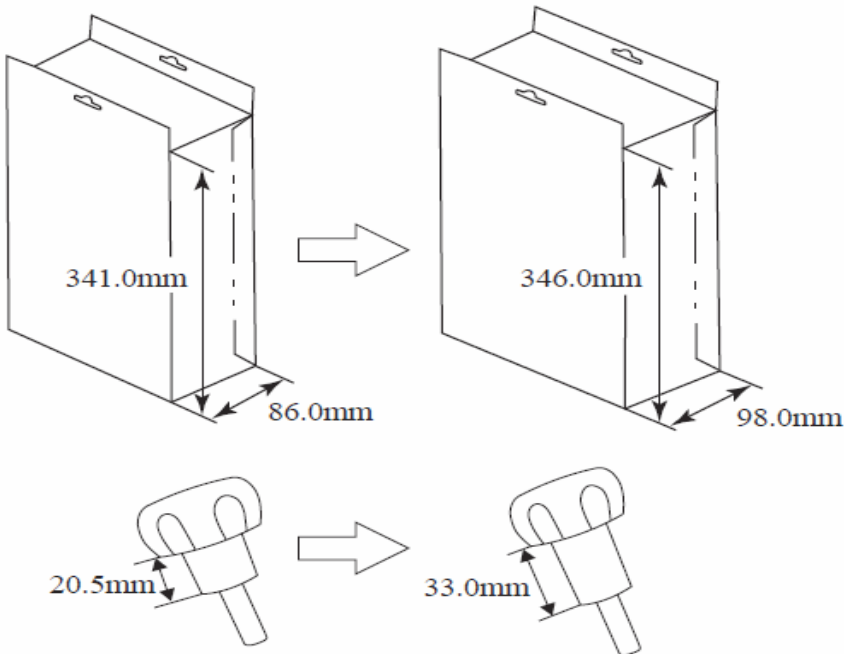
1. Changes on Bevel Guide Set

(T/I# A1654)

Item No.	Description	Type 1	Type 2
A25	Bevel guide set	194433-0	196664-7

Type 1

Type 2



2. Changes on Base protector and Trimmer base complete

(T/I# A0462)

Item No.	Description	Type 1	Type 2
47	Base protector	413149-1	454842-8
38	Trimmer base complete	140739-4	142403-3

